

TWO-DRAWER LETTER SIZE

FireKing25[®] Files

Space-efficient, cost-efficient size; full scale protection.

FireKing25 files provide your important records with the protection they need without overhauling your filing system – or your budget. They give you all the benefits of our larger-sized files, in a competitively priced, standard 25-inch size. And, like all our files, they carry the Underwriters' Laboratories Class 350 one-hour "Record Protection Equipment Classified as to Fire and Impact Resistance" label.

Use your FireKing25 to organize and protect: Tax records ■ Legal documents ■ Deeds, contracts, and financial instruments ■ Accounts Payable and Receivable ■ OSHA records ■ Personal items (manu-scripts, photographs, etc.)

FireKing25 files are equipped with UL-listed high-security keylocks, certified to resist picking and drilling. They're available in 2- or 4-drawer heights and letter or legal sizes –

with a small, 25"-deep "footprint" that makes them the perfect answer for places where space is at a premium.

UL-rated to protect your vital documents.

FireKing25 Files are Underwriters' Laboratories-listed to protect paper records through the following tests:

- A one-hour fire test in external temperatures of over 1700° F
- A 1550°F-fire-plus-30-foot impact test
- A 2000°F explosion hazard test

Because of its unique steel lattice reinforcement, insulation between drawers, and extra-thick steel panels, the FireKing25 is UL-rated to survive

a fall of 30 feet – and still keep its contents safe in a fire. Combined with the fire and explosion-hazard UL ratings, this test proves that FireKing25 files are built to survive under the worst conditions. What's more, their oven-dried, asbestos-free insulation maintains this protection for a lifetime.

We guarantee it.

Like all FireKing files, the FireKing25 carries FireKing's exclusive Lifetime Warranty on all parts. And our Free Replacement Guarantee: if your FireKing25 ever has to protect your records in a fire and any damage occurs to its fire-protection abilities, we'll give you a new one free of charge.



**2-1825-C: Two-Drawer Letter
FireKing25**

Outside Dimensions:

27 7/8" H x 17 11/16" W x 25" D

Internal Drawer Dimensions:

10 3/8" H x 12 3/16" W x 19 3/4" D

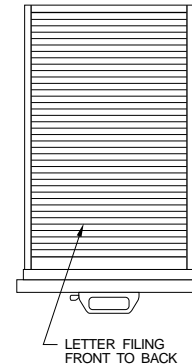
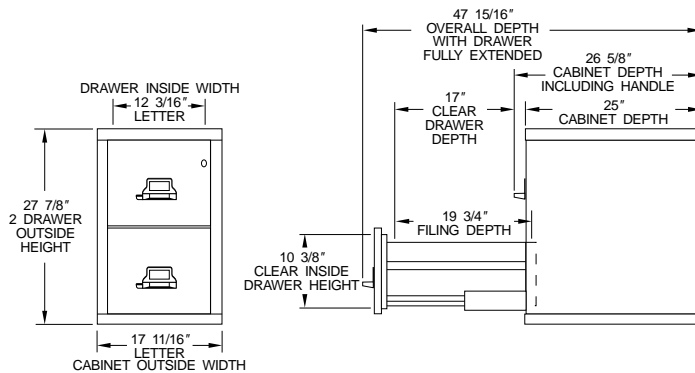
Approx. Shipping Weight: 320 lbs.

Blue Sky Safes, Inc.
305 N Second Ave #332
Upland, CA 91786-6064

909-982-4309 / 877-765-7233
909-380-8601 FAX

FireKing[®] 

FireKing25 File Specifications



FIREKING 25 LETTER FILING ARRANGEMENTS

Fire and Impact Rating

The FireKing25's Underwriters' Laboratories "Record Protection Equipment" classification includes a one-hour fire test of 1700°F, a 2000°F explosion hazard test, and a 30-foot impact test.

Insulation

The FireKing25's casting is of specially formulated, asbestos-free gypsum-based insulation, oven-dried to reduce free moisture to less than 1/2%. Insulation is reinforced with 1" x 2" 14-gauge galvanized welded-steel wire; and insulation between all drawers makes each drawer a separate insulated container.

Field-Replaceable Steel Panel

All exterior FireKing25 steel panels are replaceable in the field in the event of minor damage.

Finish

An environmentally friendly, electrostatically applied powder coating gives the FireKing25 a scratch-, scuff-, and stain-resistant finish. Plus, a five-stage prefinishing treatment provides unmatched adhesion and rust resistance.

Drawer Suspensions

Cradle suspensions are securely mounted with screws to metal posts in the FireKing25's file body. (All drawer suspensions are guaranteed for life.)

Drawer Bodies

Each FireKing25 drawer body is built with high sides for use with hanging folders – no additional frames are required.

Drawer Heads

Drawer heads are formed of welded steel, and filled with our specially formulated gypsum-based insulation. Each drawer head is designed for a tight interlock with the cabinet frame – making all drawers extra-resistant to heat transfer.

High-Security Keylock

The FireKing25's Medeco™ drawer keylocks are UL-rated to resist picking and drilling. Because keys cannot be duplicated – except through FireKing – access is limited to authorized keyholders only.

Drawer Bypass

Works for all FireKing25 file drawers. In its "up" position, the drawer catch allows a drawer to stay unlocked while other drawers remain locked.

Drawer Pulls

Made of bright chrome-plated zinc, each FireKing25 drawer pull contains an integral index-card holder.

Colors

FireKing25 files are available in three standard colors: Parchment, Sand, and Black.

Lifetime Warranty

All FireKing25 files carry a lifetime warranty on all parts, including insulation and drawer suspensions.

Free Replacement Guarantee

If your FireKing25 is ever required to protect your documents in a fire, and any of its fire-protective properties are damaged, FireKing will replace it free.