

Turtle®

A lifetime of information protection and storage in a compact 22" size!

M Meet the Turtle, the tough little 22" file from FireKing. It's the same fireproof file cabinet businesses all over the world depend on: in a space-saving 22" size just right for your home, personal office, or small business. Like all our files, Turtles carry the Underwriters' Laboratories Class 350 one-hour "Record Protection Equipment Classified as to Fire and Impact Resistance" label. Use your Turtle to safeguard:

- Tax Records
- Insurance Records
- Contracts
- Deeds
- Personal Items (manuscripts, journals, etc.)
- Accounts Payable/Receivable
- Any irreplaceable records or documents.

For safeguarding your valuable records and documents, no other 22" file gives you as much peace of mind as the Turtle's hard-shell protection.

2R1822-C: Two-Drawer Vertical Turtle File

Outside Dimensions:
27 7/8" H x 17 11/16" W x 22 1/8" D
Internal Drawer Dimensions:
10 3/8" H x 12 3/16" W x 15 1/4" D
Approx. Shipping Weight: 268 lbs.
Parchment color.

UL-rated to protect your vital documents.

FireKing Turtle Files are Underwriters' Laboratories-listed to protect paper records through the following tests:

- A one-hour fire test in external temperatures of over 1700°F
- A 1550°F-fire-plus-30-foot impact test
- A 2000°F explosion hazard test

Because of its unique steel lattice reinforcement, insulation between drawers, and extra-thick steel



panels, the Turtle File is UL-rated to survive a fall of 30 feet – and still keep its contents safe in a fire. Combined with the fire and explosion-hazard UL ratings, this test proves that Turtle Files are built to survive under the worst conditions. What's more, their oven-dried, asbestos-free insulation maintains this protection for a lifetime.

We guarantee it.

Like all FireKing files, the Turtle carries FireKing's exclusive Lifetime Warranty on all parts. And our Free Replacement Guarantee: if your Turtle ever has to protect your records in a fire and any damage occurs to its fire-protection abilities, we'll give you a new Turtle free of charge.

Other features:

- Letter- and legal-size filing

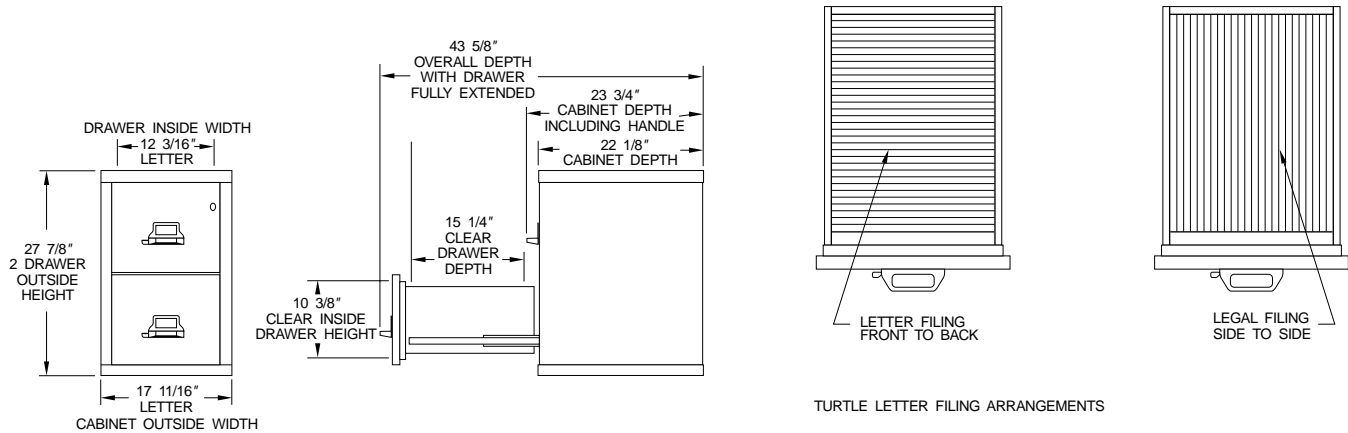
Blue Sky Safes, Inc.
305 N Second Ave #332
Upland, CA 91786-6064

909-982-4309 / 877-765-7233
909-380-8601 FAX



Turtle®
by FireKing®

Turtle File Specifications



TURTLE LETTER FILING ARRANGEMENTS

Fire and Impact Rating

The Turtle's Underwriters' Laboratories "Record Protection Equipment" classification includes a one-hour fire test of 1700°F, a 2000°F explosion hazard test, and a 30-foot impact test.

Insulation

The Turtle's casting is of specially formulated, asbestos-free gypsum-based insulation, oven-dried to reduce free moisture to less than 1/2%. Insulation is reinforced with 1" x 2" 14-gauge galvanized welded-steel wire; and insulation between all drawers makes each drawer a separate insulated container.

Field-Replaceable Steel Panels

All exterior Turtle steel panels are replaceable in the field in the event of minor damage.

Finish

An environmentally friendly, electrostatically applied powder coating gives the Turtle a scratch-, scuff-, and stain-resistant finish. Plus,

a five-stage prefinishing treatment provides unmatched adhesion and rust resistance.

Drawer Suspensions

Accuride® suspensions are securely mounted with screws to metal posts in the Turtle's file body. (All drawer suspensions are guaranteed for life.)

Drawer Bodies

Each Turtle drawer body is built with high sides for use with hanging folders – no additional frames are required. Drawers are suitable for both letter- and legal-sized filing. (For letter-sized documents, use a front-to-back filing method; for legal-sized documents, use a side-to-side system.)

Drawer Heads

Drawer heads are formed of welded steel, and filled with our specially formulated gypsum-based insulation. Each drawer head is designed for a tight interlock with the cabinet frame – making all drawers extra-resistant to heat transfer.

Drawer Bypass

Works for all Turtle File drawers. In its "up" position, the drawer catch allows a drawer to stay unlocked while other drawers remain locked.

Drawer Pulls

Made of bright chrome-plated zinc, each Turtle drawer pull contains an integral index-card holder.

Lifetime Warranty

All Turtle Files carry a lifetime warranty on all parts, including insulation and drawer suspensions.

Free Replacement Guarantee

If your Turtle File is ever required to protect your documents in a fire, and any of its fire-protective properties are damaged, FireKing will replace it free.

Blue Sky Safes, Inc.

305 N Second Ave #332
Upland, CA 91786-6064

909-982-4309 / 877-765-7233
909-380-8601 FAX



Turtle
by FireKing®